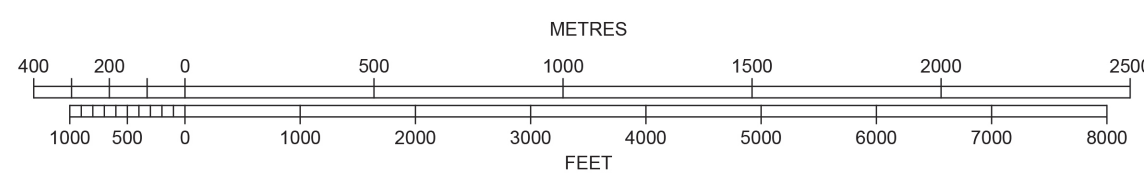
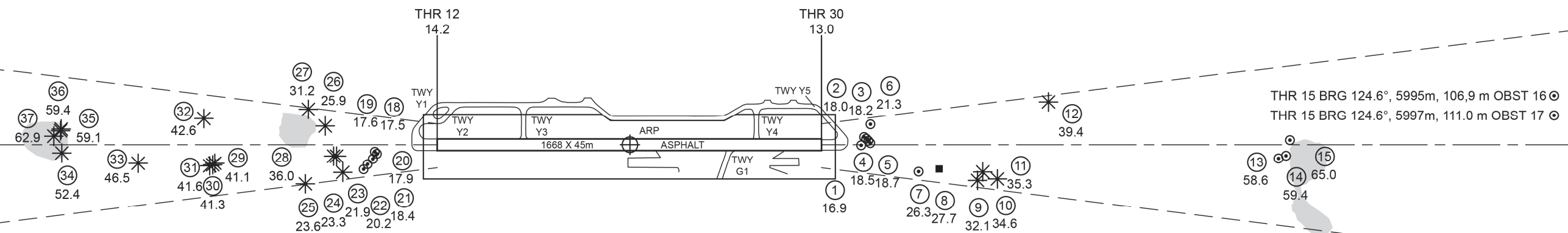
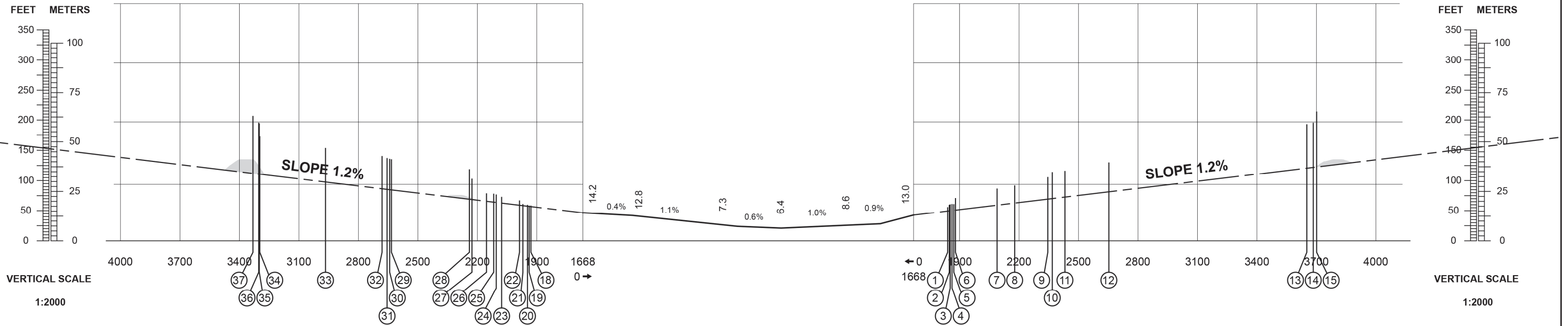


AERODROME ELEVATION 47 FEET
MAGNETIC VARIATION 6° E 2020

RUNWAY BEARINGS
12 = GEO 125.01°; MAG 119°
30 = GEO 305.03°; MAG 299°

from TWY Y1	RWY 12	DECLARED DISTANCES	RWY 30	from TWY Y5
1779	1668	TAKE-OFF RUN AVAILABLE	1668	1779
1779	1668	TAKE-OFF DISTANCE AVAILABLE	1668	1779
1779	1668	ACCELERATE STOP DISTANCE AVAILABLE	1668	1779
	1668	LANDING DISTANCE AVAILABLE	1668	



ORDER OF ACCURACY
HORIZONTAL 5 m
VERTICAL 0.5 m

LEGEND	
IDENTIFICATION NUMBER	①
POLE, TOWER, SPIRE, ANTENNA, ETC.	⊙
TREE OR SHRUB	*
BUILDING OR LARGE STRUCTURE	■
TERRAIN PENETRATING OBSTACLE PLANE	▲