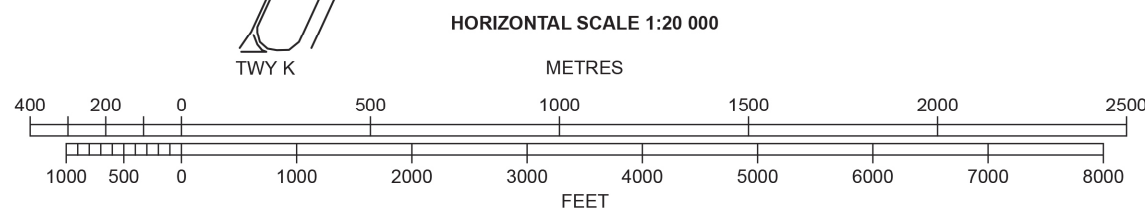
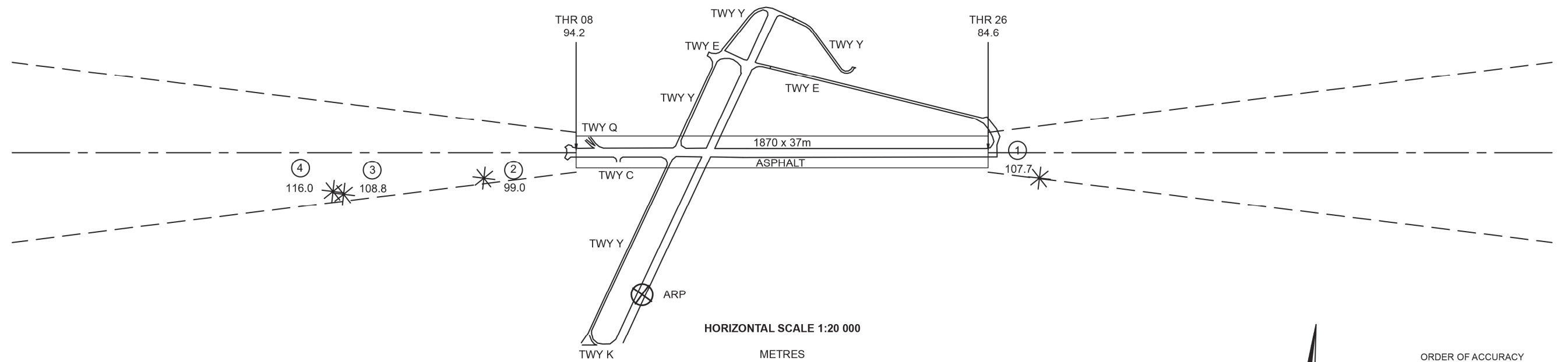
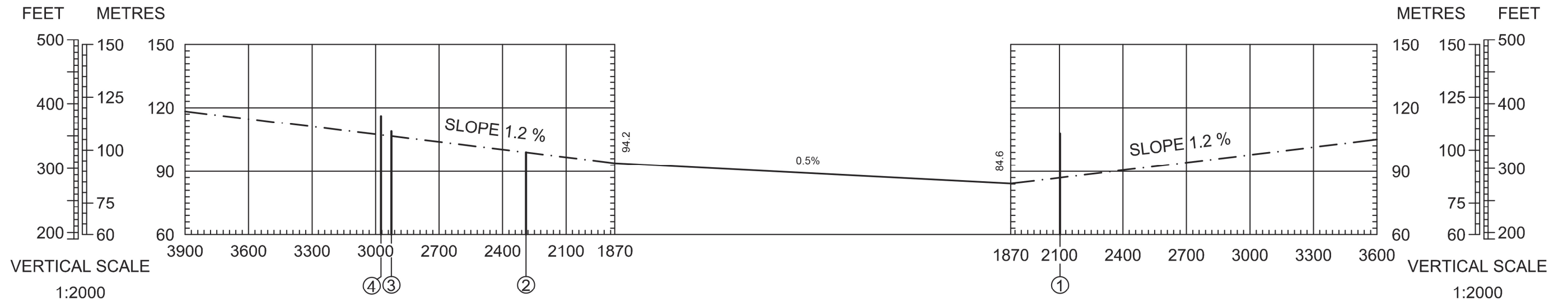


**AERODROME ELEVATION 309 FEET**  
MAGNETIC VARIATION 6° E 2020

**RUNWAY BEARINGS**  
08 = GEO 083.2°; MAG 077°  
26 = GEO 263.2°; MAG 257°

| RWY 08 | DECLARED DISTANCES              | RWY 26 |
|--------|---------------------------------|--------|
| 1870   | TAKE-OFF RUN AVAILABLE          | 1870   |
| 1870   | TAKE-OFF DISTANCE AVAILABLE     | 1870   |
| 1910   | ACCELERATE STOP DIST. AVAILABLE | 1910   |
| 1870   | LANDING DISTANCE AVAILABLE      | 1870   |



ORDER OF ACCURACY  
Horizontal 5m  
Vertical 0.5m

| LEGEND                            |   |
|-----------------------------------|---|
| IDENTIFICATION NUMBER             | ① |
| POLE, TOWER, SPIRE, ANTENNA, ETC. | ○ |
| TREE OR SHRUB                     | * |
| BUILDING OR LARGE STRUCTURE       | □ |