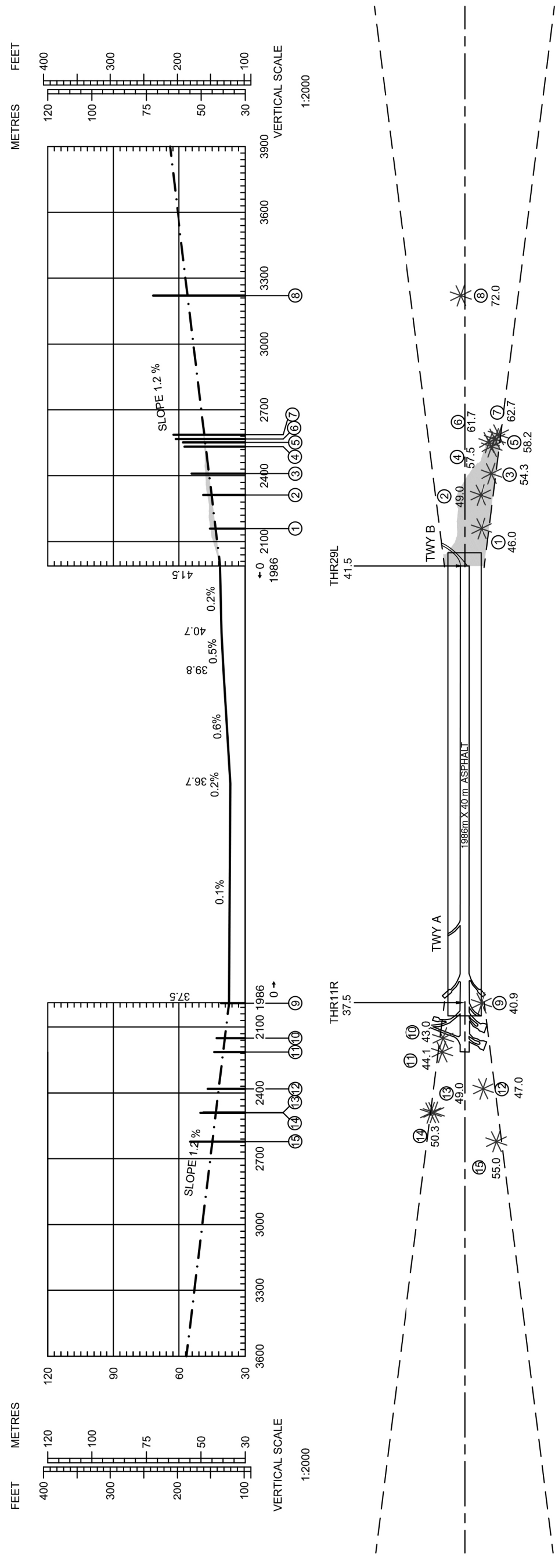


AERODROME ELEVATION 139 FEET
MAGNETIC VARIATION 3° E 2015

RUNWAY BEARINGS
11R = GEO 113.9°; MAG 111°
29L = GEO 293.9°; MAG 291°

RWY 11R	DECLARED DISTANCES	RWY 29L
1986	TAKE-OFF RUN AVAILABLE	1986
1986	TAKE-OFF DISTANCE AVAILABLE	1986
1986	ACCELERATE DIST. AVAILABLE	1986
1986	LANDING DISTANCE AVAILABLE	1986



LEGEND

①	IDENTIFICATION NUMBER
○	POLE, TOWER, SPIRE, ANTENNA, ETC.
✳	TREE OCH SHRUB
—	TERRAIN PENETRATING OBSTACLE PLANE