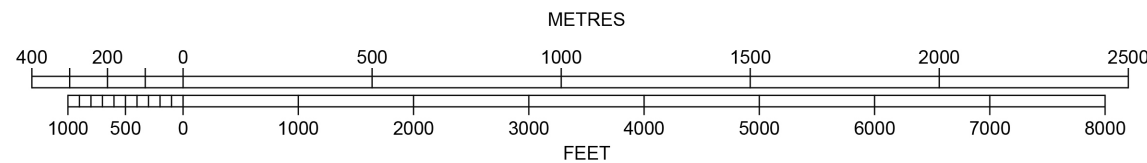
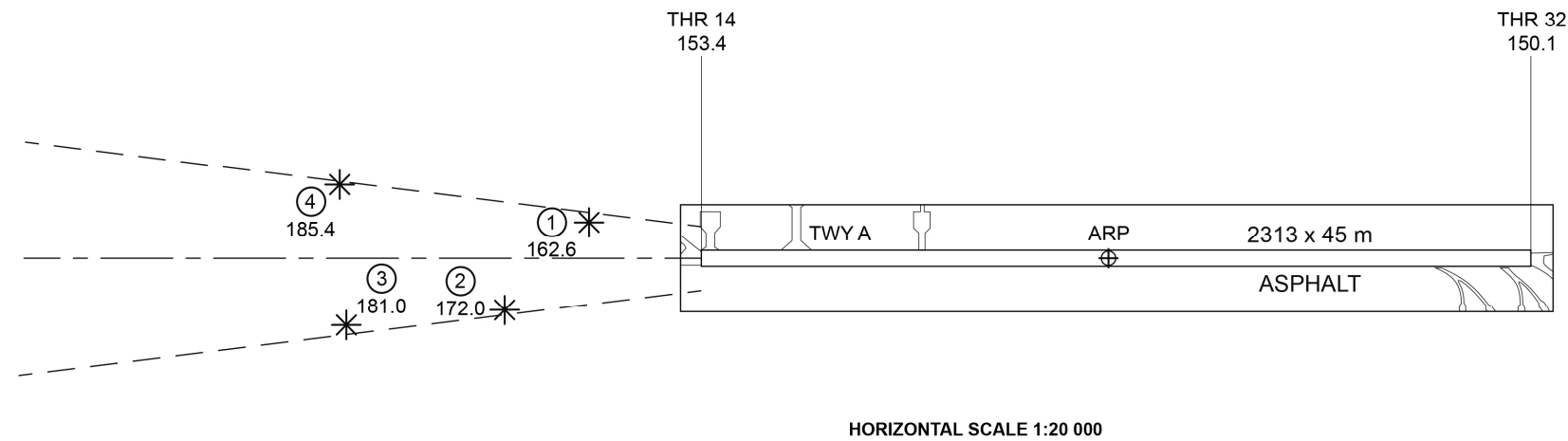
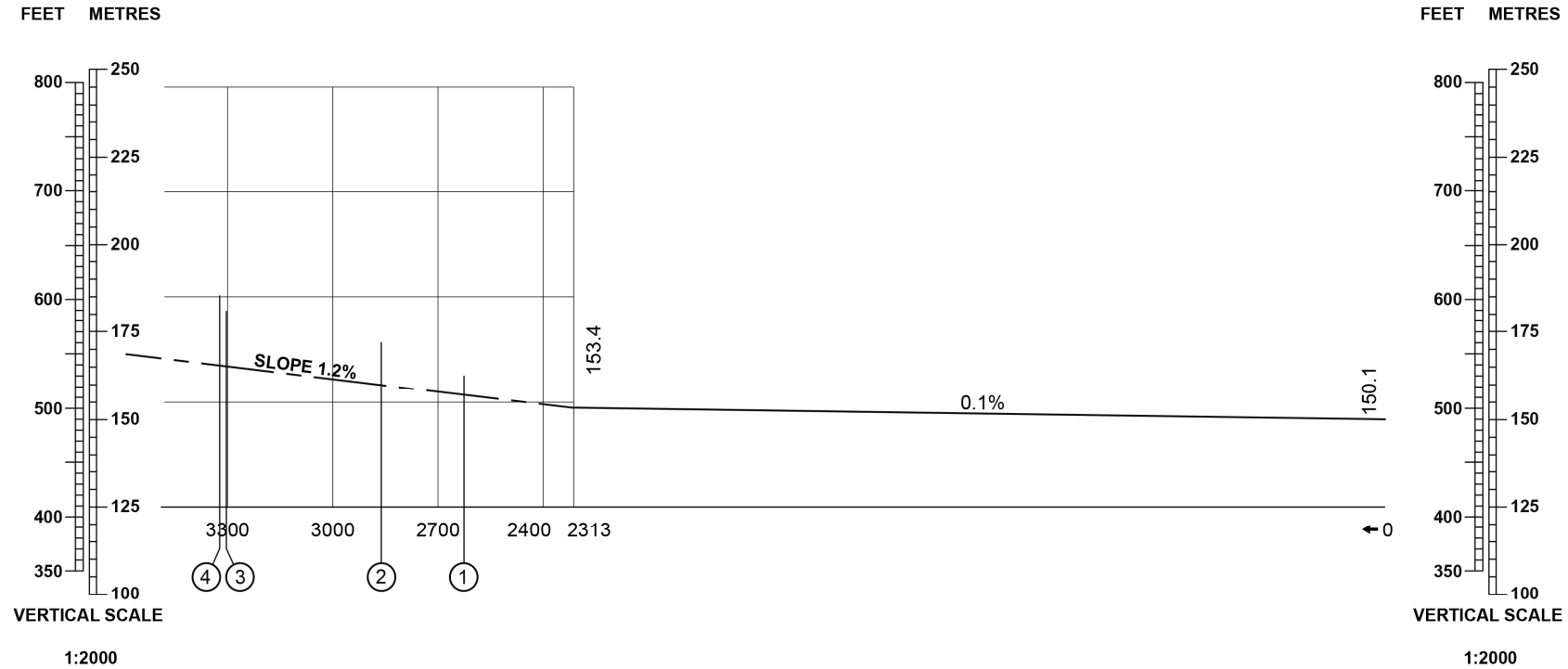


AERODROME ELEVATION 503 FEET
MAGNETIC VARIATION 4° E 2015

RUNWAY BEARINGS
14 = GEO 132.41°; MAG 128°
32 = GEO 312.44°; MAG 308°

DECLARED DISTANCES	RWY 32
TAKE-OFF RUN AVAILABLE	2313
TAKE-OFF DISTANCE AVAILABLE	2313
ACCELERATE STOP DIST. AVAILABLE	2313
LANDING DISTANCE AVAILABLE	2313



LEGEND	
IDENTIFICATION NUMBER	①
POLE, TOWER, SPIRE, ANTENNA, ETC.	○
TREE OR SHRUB	*
TERRAIN PENETRATING OBSTACLE PLANE	▲